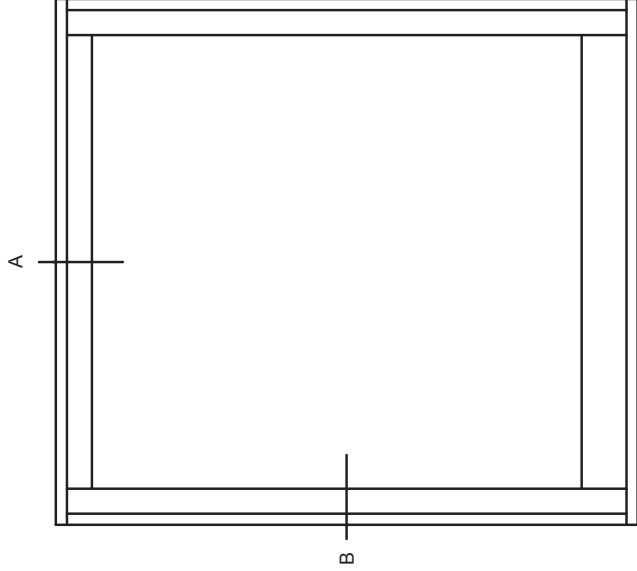
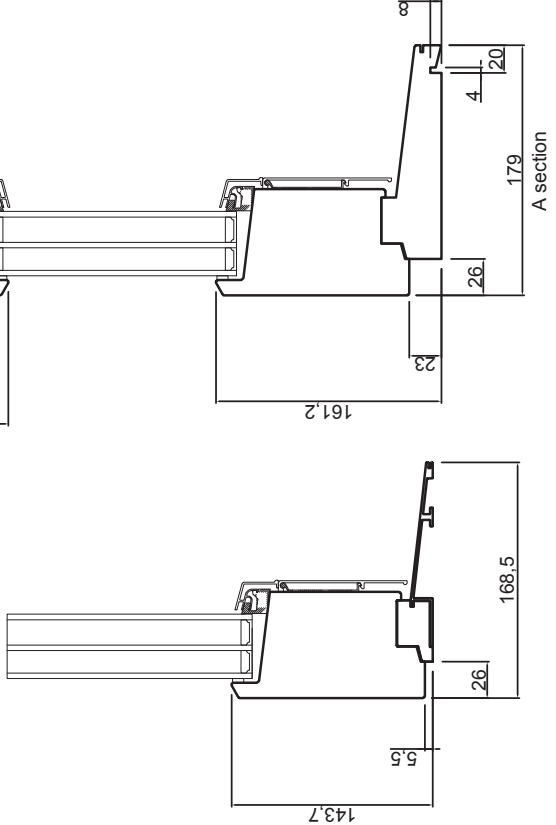
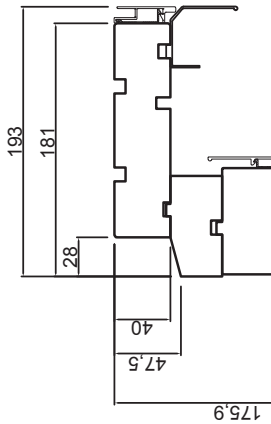
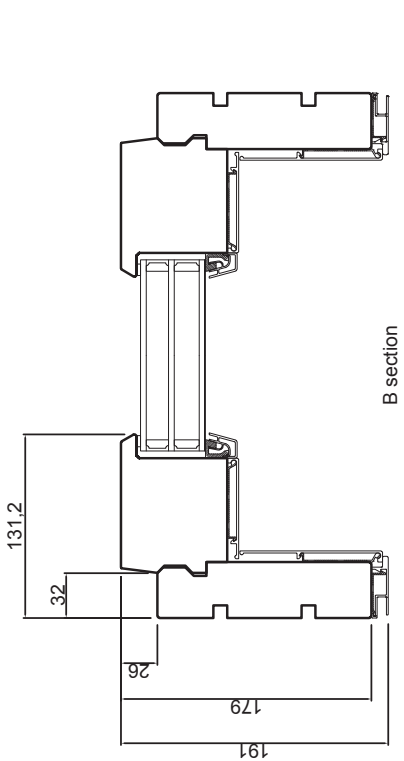


Rev	Description	Rev. by	Date
B		AE	2018-07-05



Designed by	AE	2018-07-05	Product Category	Door	Processing Code
Approved by	AE	2018-07-05	Product Type	Sliding	Material
			Elifönster Skjutdörr Alu	Article Number	Tolerances unless otherwise specified
			Fast	ASP1	View orientation
			Elifönster Sliding Door Alu	Drawing Number	E
			Fixed	86-37-02	Scale
					Revision
					B

